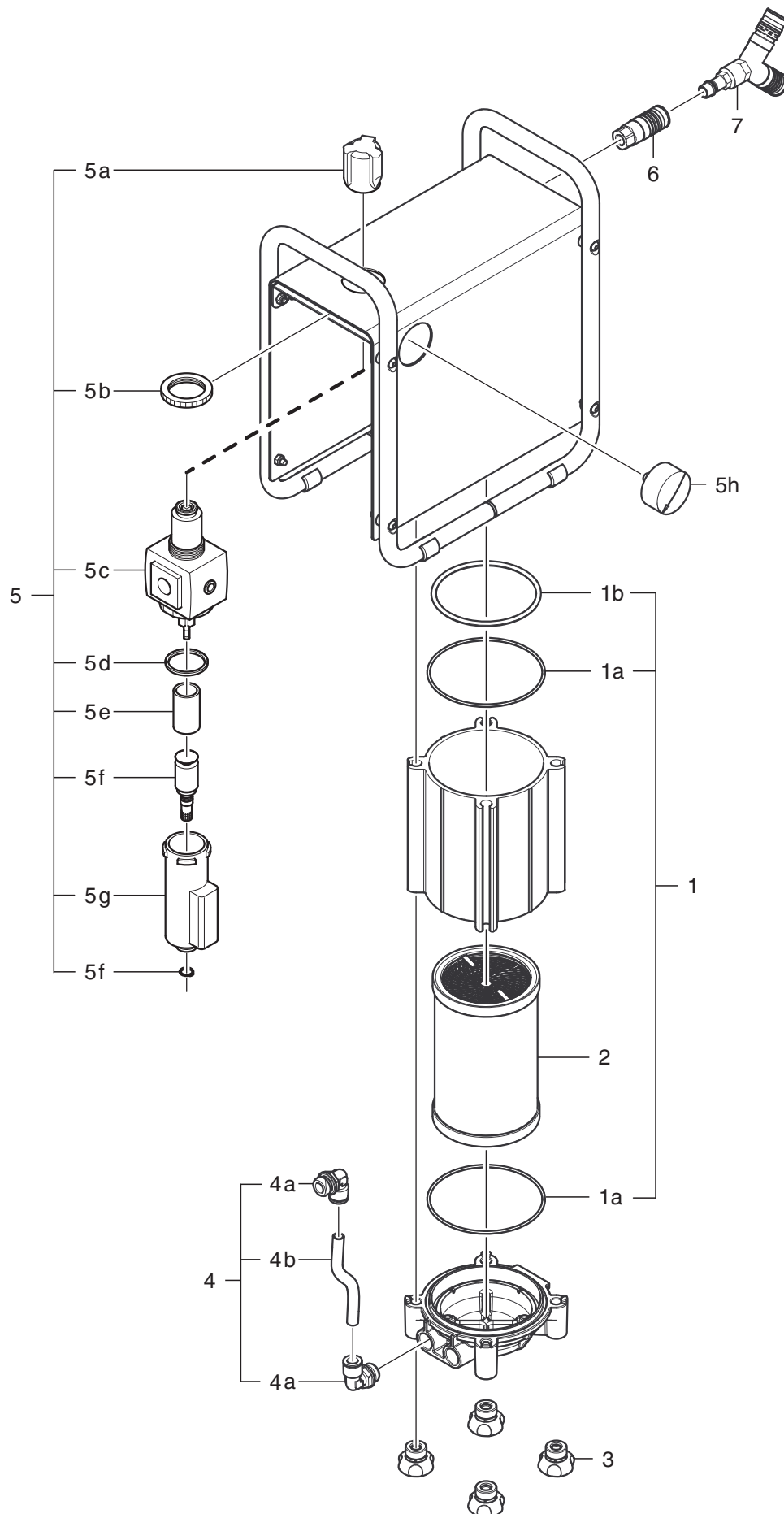


SR 99-1

Spare parts / Accessories



| No. | Description | Ordering No. |
|------------|-----------------------------------|---------------------|
| 1. | Set of seals for filter housing | R03-2604 |
| 1a. | O-ring | - |
| 1b. | O-ring | - |
| 2. | SR 292 Filter element | R03-2001 |
| 3. | Knob | R03-2607 |
| 4. | Hose with couplings | R03-2605 |
| 4a. | Hose | - |
| 4b. | Coupling | - |
| 5. | Filter regulator, automatic drain | R03-2801 |
| 5a. | Knob | R03-2803 |
| 5b. | Mounting nut, filter regulator | R03-2809 |
| 5c. | Filter regulator | - |
| 5d. | Seal, drain bowl | R03-2806 |
| 5e. | Pre-collector element | R03-2805 |
| 5f. | Pre-collector | R03-2804 |
| 5g. | Drain bowl | R03-2808 |
| 5h. | Pressure gauge | R03-2108 |
| 6. | Safety coupling female 1/2" | R03-2103 |
| 7. | Y coupling | R03-2127 |